

**ModBlox**

## **INSTRUCTION MANUAL**



### **ModBlox™ Apex**

**1 Hour Approximate Build Time**

**3 People Recommended For Assembly**

**ModBlox – a modular revolution for your garden space!**

# GENERAL INFORMATION

**IMPORTANT** – Before undertaking any work, first take measurements of your planned install location so you can work out before you begin the build if you are going to have adequate space not only for the structure, but around it (if appropriate) for access.

Assembling your ModBlox pergola is fun and easy, even for novices with little or no building experience. Assembly with a friend can be done in as little as an hour (longer if your pergola includes roof rafters and/or a privacy wall). You won't need any speciality tools, either... just a drill, tape measure, level, ladder and saw (if required).

Our ModBlox pergola kits include everything you'll need to assemble your own beautiful garden pergola except the Post Mix / Ground Fixings (sold separately).

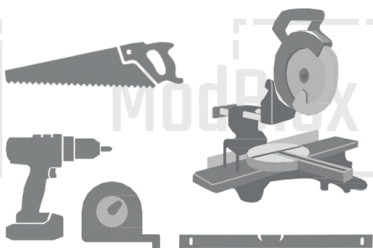
## SAFETY INFORMATION

- Do not leave your pergola unattended before installation is complete and the pergola is secured to the ground.
- Follow instructions precisely to avoid injury to yourself or others.
- Avoid scratching or bending the ModBlox pergola brackets to protect against damaging the coating which can lead to potential rusting.
- Safety glasses and safety gloves are encouraged during installation.
- Avoid installing your ModBlox pergola during inclement weather including rain, snow or windy conditions.
- In the event that you have pieces missing, please contact us at [hello@ModBlox.com](mailto:hello@ModBlox.com)

## RECOMMENDED TOOLS

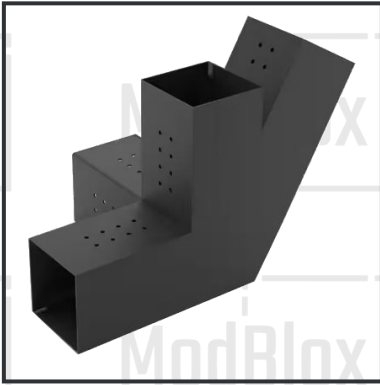


Wear protective gloves, glasses and ear protectors where appropriate.

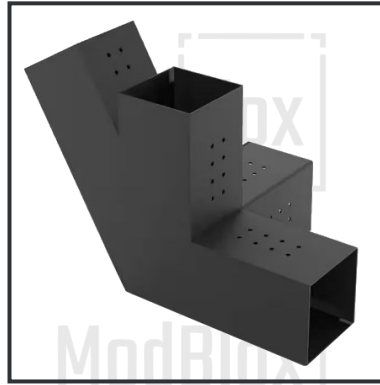


Hand Saw / Table Saw, Drill driver, Tape Measure, Spirit Level

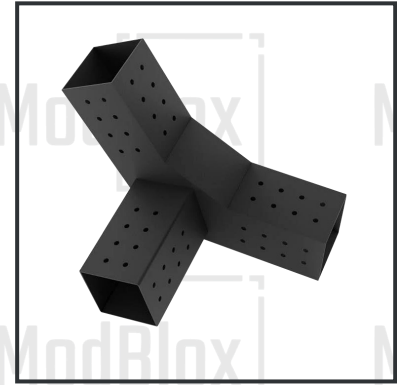
# KIT CONTENTS



**2 x ModBlox™  
Corner Angled  
QuadSleeve (Right)**



**2 x ModBlox™  
Corner Angled  
QuadSleeve (Left)**



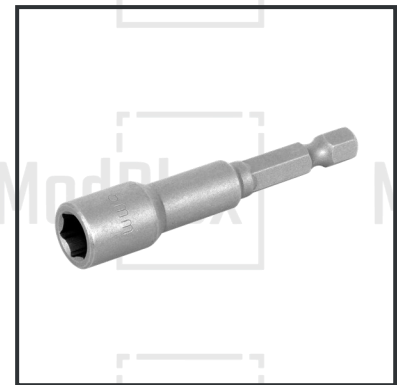
**2 x ModBlox™  
Apex TriSleeves**



**9 x Roof ModPost™  
(92mm x 92mm)**



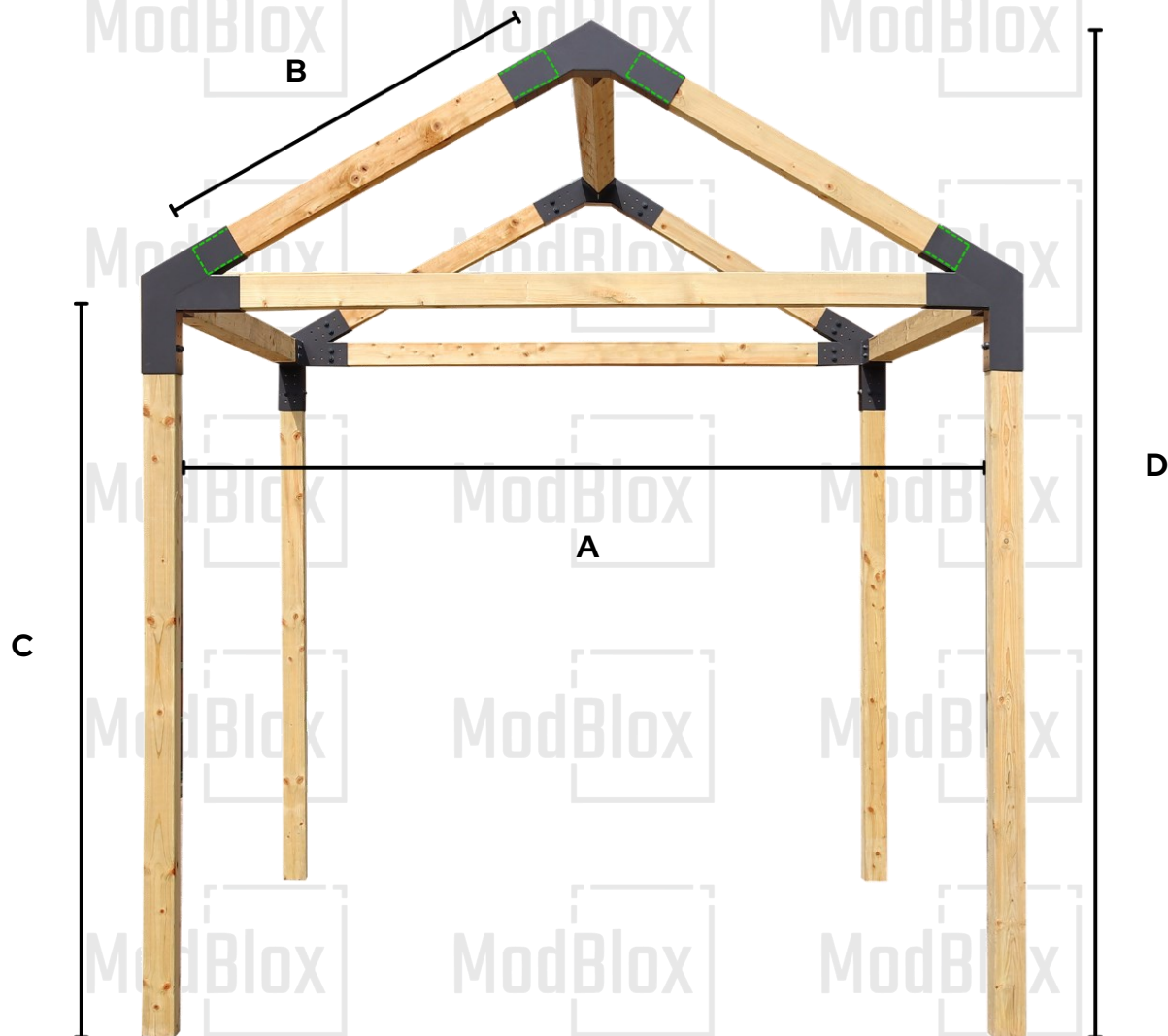
**88 x 40mm Fixing  
Screws with Caps**



**1 x 8mm Hex Head  
Driver Bit**

**4 x Corner ModPost™  
(92mm x 92mm)**

# ModBlox™ Apex Measurements



Pergola Name	A	B	C	D
ModBlox™ Apex Pergola (2400mm x 2400mm)	2400mm	1180mm	2100mm	3115mm
ModBlox™ Apex Pergola (2400mm x 3600mm)	2400mm	1180mm	2100mm	3115mm
ModBlox™ Apex Pergola (3000mm x 3000mm)	3000mm	1530mm	2100mm	3115mm
ModBlox™ Apex Pergola (3600mm x 3600mm)	3600mm	1880mm	2100mm	3115mm

# STEP 1 - Roof Assembly

## NOTE:

The 2 x Side ModPosts and the 1 x Apex ModPost are 200mm shorter than the 2 x Front and Rear horizontal ModPosts, this ensures the pergola remains square, make sure you take note to use the right posts in the right position.

Begin by inserting three of your ModPosts into one of each Corner Angled QuadSleeves, one right and one left as shown in the Fig 1. Ensure that your ModPosts are pushed all the way into the bracket. These are fastened into place using 4 x 40mm Fixing Screws, we recommend using the second set of holes, see Fig 7 (next page) for reference.

Once this is done you can then insert 2 of the apex posts (shortest ModPosts) into the angled part of the bracket. At this stage we do not recommend fixing these in place as it will allow for some movement when the whole roof is together in order to ensure everything is square.

Moving on to the next part of the roof build, using the remaining two Corner Angled QuadSleeves (right and left), connect the two with a ModPost fastening them with screws, again, ensuring your ModPosts are pushed all the way into the bracket and fastened into place using 4 x 40mm Fixing Screws at each end.

To create the third and final piece of your roof structure, join your two Apex TriSleeves together using one of your ModPosts as you did in the previous step, fixing into place using 4 x 40mm Fixing Screws at each end.

Finally you can add the remaining two shorter apex posts into the angled part of the bracket as shown in Fig 3, the ModPost should be inserted approximately 180mm (not inserted as far as possible) to ensure your roof apex is centred when everything is fastened together.

With the help of a couple of friends, slide together the three pieces as shown in Fig 2 and secure the ModPosts in place using 4 x 40mm Fixing Screws on each bracket.

We recommend leaving the Apex TriSleeve to last so that this can be moved around to centralise if required.

Fig.1



Fig.2



Fig.3

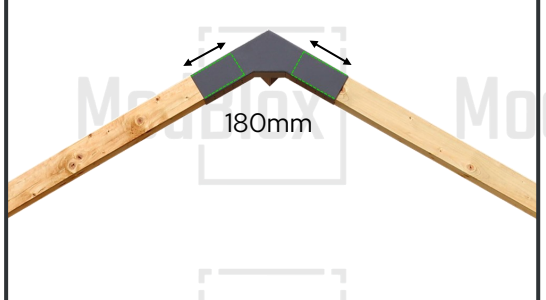


Fig.4

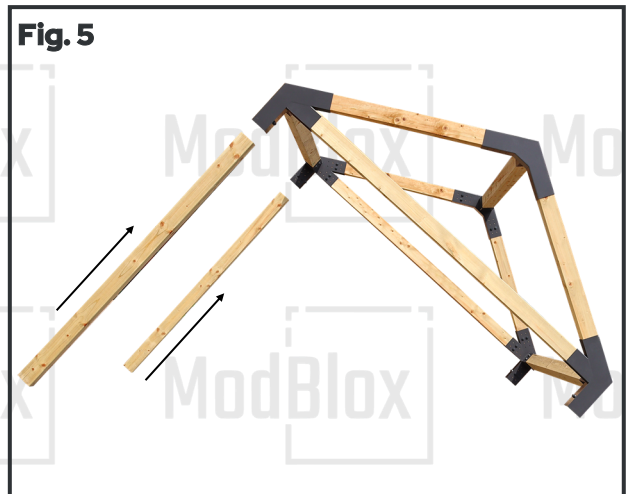


## STEP 2 - Installing Corner Posts

With the roof structure all joined together securely the corner posts can now be added.

Lift one side of the assembled roof with the assistance of 1 or 2 helpers, and slide into position the corner posts into both 4way brackets on that side until they hit the top of the brackets.

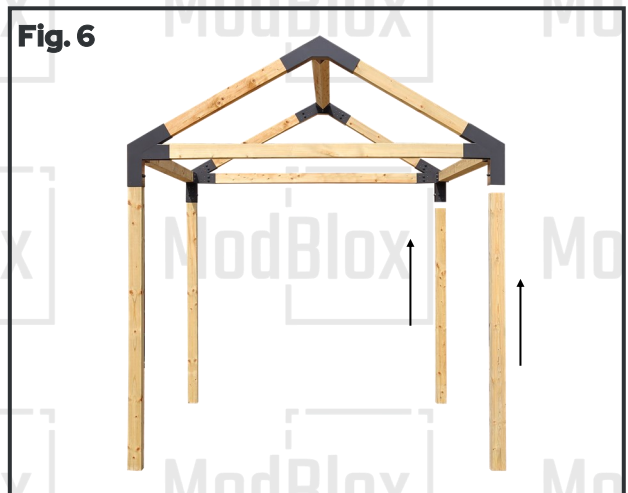
Secure the posts into the brackets using the provided 40mm fixing screws and finish with the screw caps.



With the first set of legs added and secured in place, the other side can now be added, following the same method.

Raise the other side of the roof assembly and slide the posts into the 2 remaining 4way brackets until they hit the top of the brackets.

Secure the posts to the 4way brackets using the provided 40mm fixing screws and finish with the screw caps.



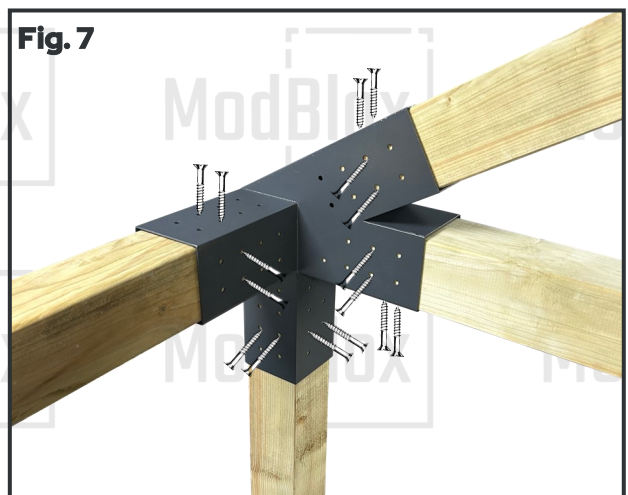
### **NOTE:**

*If you need to use ladder to reach the corner bracket to fix the screws in place, ask a friend to assist and take standard safety measures into consideration to avoid injury.*

The image on the right shows how we expect all four of the corners to look once you have everything secured in place.

Each ModSleeve in your kit includes 40mm fixing screws and caps, see the screw diagram to the right to see which holes the screws should go in.

(Additional holes are for attaching accessories.)



# STEP 3 - Ground Fixing

With the build complete you now need to fix the pergola in its final position. It is important to attach it in the right way to the surface on which it will stand.

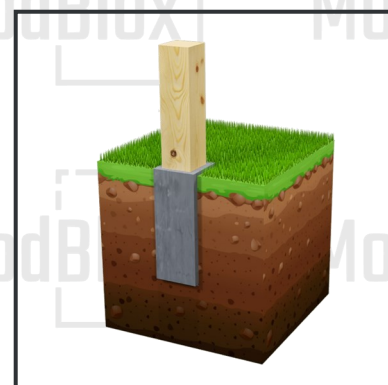
If you have purchased one of our kits you will have chosen one of the three options outlined below.

A general rule to remember for all footings is that it should be level. The footing should also be firm, so that the pergola is well anchored and stands stable even in strong winds and remain solidly fixed for years to come.

## OPTION A - Concrete In (2.7m Posts)

If you have chosen our concrete in option, your kits will come provided with longer posts, allowing for 600mm to be bedded into the ground and fixed with concrete/postmix. (sold separately).

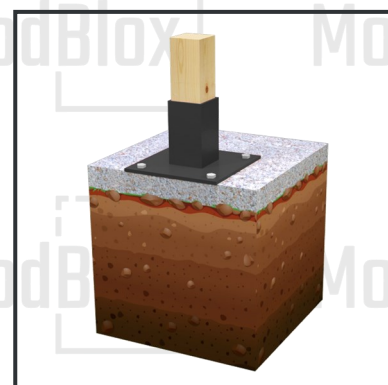
This will leave your pergola with a finished high of approximately 2.1m / 7ft.



## OPTION B - UniSleeves (2.1m Posts)

Bolt down anchors are the ideal to secure your posts onto a concrete base, brick wall, or other hard flat surfaces such as decking.

We recommend using a Hex Head M8 x 60mm Thunderbolts or similar (sold separately). Simply line up your anchor in your chosen final position that drill a hole using the correct masonry drill bit, remove the dust and debris and wind in until fastened down tight. The anchors can then be tightened to the post using the 2 bolts on the side which locks it into its final position

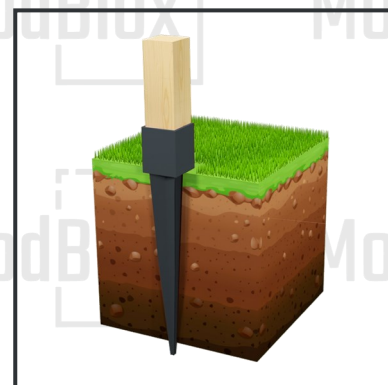


## OPTION C - UniSpikes (2.1m Posts)

Steel spikes are designed for soft ground and areas with no hard standing the advantage is that it removes the need to dig post holes and pour concrete.

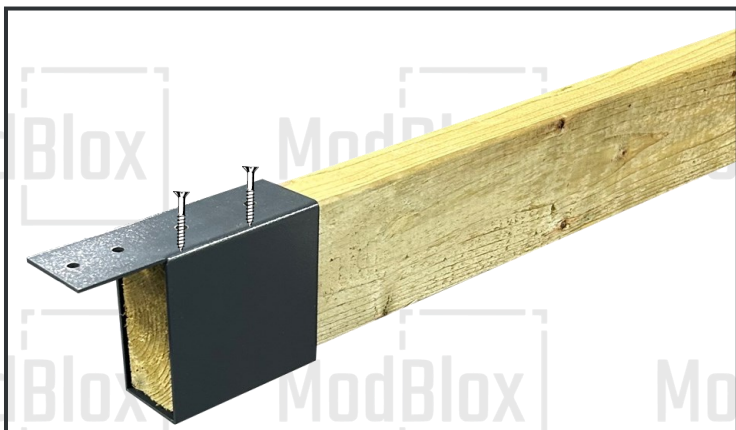
All you need to do is put the spike in the place you would like it and hammer into the ground with a sledge hammer, we recommend using an off cut of timber to avoid damaging the spike.

The further the spike is into the ground the harder it will be to realign, so check the level frequently as you go deeper. The spike can then be tightened to the post using the 2 bolts on the side which locks it into its final position.



## STEP 4 - Adding Rafters

Begin by adding all your rafter sleeves on both ends of all your rafter timber, the face of your rafter timber should sit flush with edge of the sleeve as shown in the image to the right and fixed in place using two of the supplied 40mm Fixing Screws.



With all your rafter built it is then just a matter of placing them into position, equally spaced, depending on the size of your pergola and fixing to the main frame using another two 40mm Fixing Screws.

We recommend placing the top and bottom rafters against ModBlox fitting and then spacing the remaining two equally between those for a uniform finish; repeat the process on both sides.

The final step is to cover your screws with the provided caps to create a sleek modern finish.

